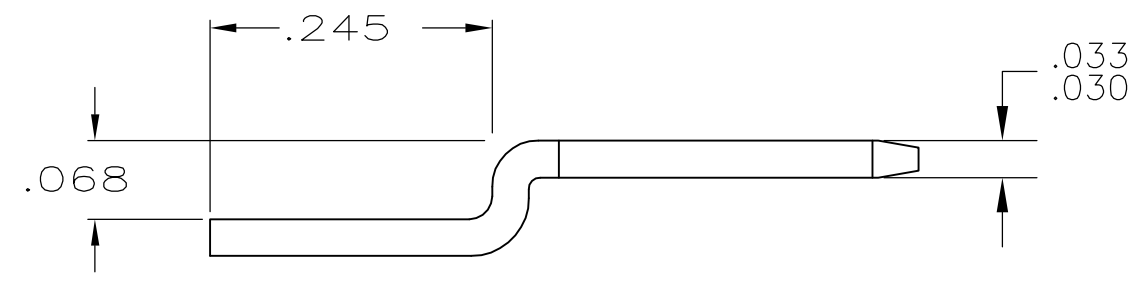
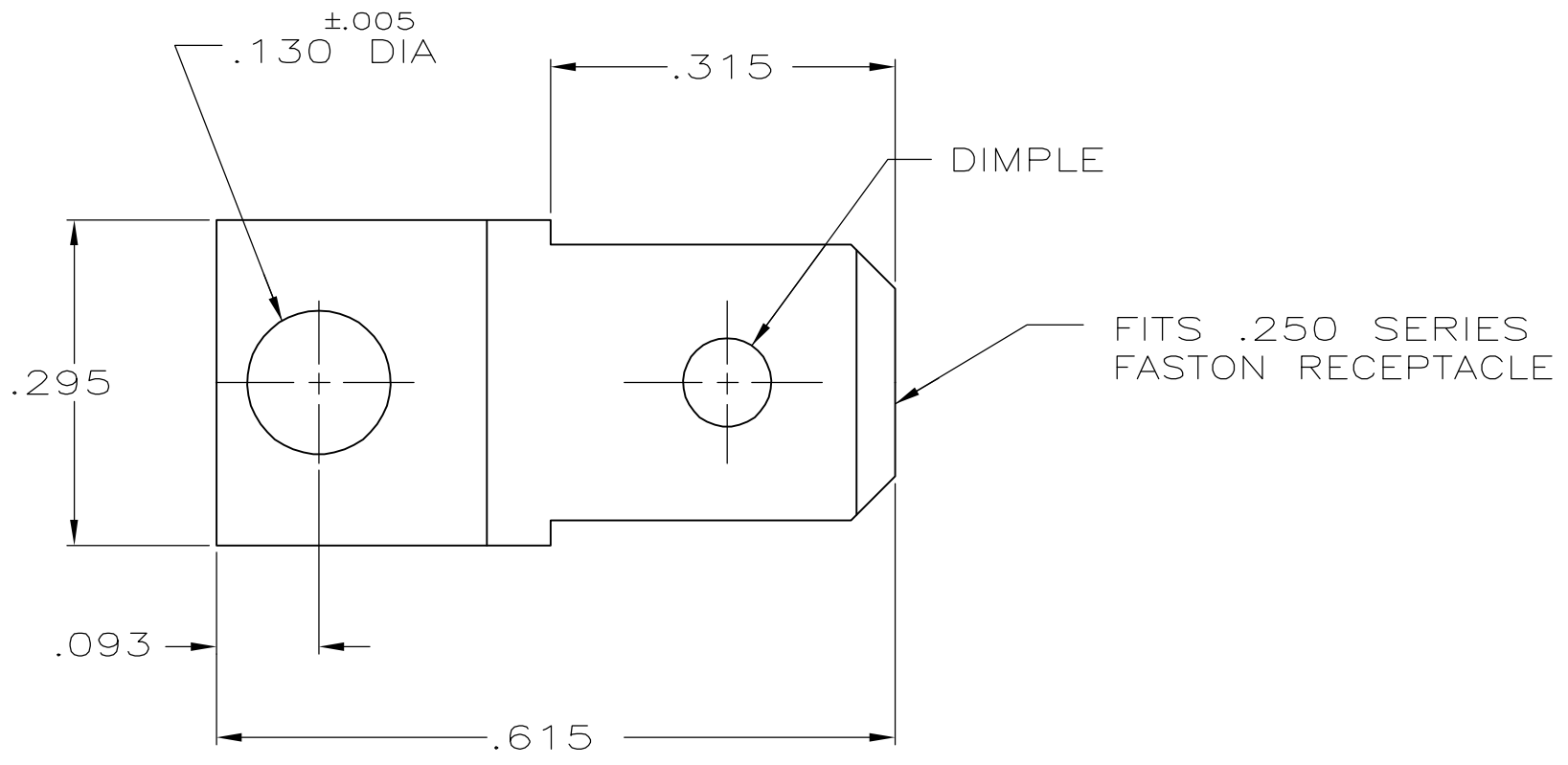


THIS DRAWING IS UNPUBLISHED. RELEASED FOR PUBLICATION
 © COPYRIGHT - BY TYCO ELECTRONICS CORPORATION. ALL RIGHTS RESERVED.

LOC	DIST	REVISIONS					
AF	50	P	LTR	DESCRIPTION	DATE	DWN	APVD
			H	REV PER ECR-05-017287	06APR06	HMR	JR

1 SUPPLIED IN LOOSE PIECE



42506-2
 PART NO

THIS DRAWING IS A CONTROLLED DOCUMENT.		DWN	JR RUTH	1/25/89		Tyco Electronics Corporation	
DIMENSIONS: INCHES		CHK	MS FEHER	1/25/89		Harrisburg, PA 17105-3608	
		APVD	C MEYERS	1/25/89		NAME	
TOLERANCES UNLESS OTHERWISE SPECIFIED:		PRODUCT SPEC		-		TAB, FASTON, .250 SERIES	
0 PLC ± - 1 PLC ± - 2 PLC ± - 3 PLC ± .010 4 PLC ± - ANGLES ± -		APPLICATION SPEC		-		RESTRICTED TO	
MATERIAL #2H BRASS		FINISH TIN		WEIGHT -		SIZE	A3
		CUSTOMER DRAWING		CAGE CODE	00779	DRAWING NO	C-42506
				SCALE	6:1	SHEET	1 OF 1
				REV	H		